



out in the cold... keeping you warm



Choose Millside for the purchase, installation and servicing of Heating Systems, Renewables, Controls, Accessories and Heat Efficiency Products

Whether you're a householder or business looking to purchase an efficient heating system for your property; whether you're looking for a plumber or engineer to repair or service your current heating system; or if you're looking for a reliable company to manage the maintenance on one or a number of heating appliances, all at a very competitive price, with a warm, friendly customer service team to give you the backup you need, Millside are all of these, and more.

Based in rural Holmfirth, Millside have a clear vision of the area and the issues surrounding the future of plumbing and heating and what it means for the end user. Vastly experienced and with an amazing passion for boilers, Millside have been working with condensing boilers for over 20 years and undertake plumbing, heating and related maintenance work for universities, churches, breweries, hotels, golf clubs, health centres, housing associations, landlords, domestic and commercial work.

Bespoke and pioneering systems are our strength. Millside are concentrating heavily on renewables and micro-generation as this is a natural progression to our already wide range of heating services. We continue to offer services that help to cut the ever-increasing costs that burden the consumer: having worked with fuel efficient gas/oil systems for over 30 years, and solar for over 10 years, Millside are bringing the future to your home, today.

CARE PLAN PRICES

PLATINUM PARTS & WARRANTY PLAN	£15.00 p/m
GOLD AREA SERVICE PLAN*	£25.00 p/m
SILVER AREA SERVICE PLAN*	£21.00 p/m
BRONZE AREA SERVICE PLAN*	£17.50 p/m
LANDLORD'S CP12	£1.99 p/m
NEW BOILER WHEN ON GOLD SCHEME	6% OFF
POWERFLUSH	£350 + FLUIDS + VAT
FLUIDS (as per our website)	
MAGNACLEAN / BOILERMAG	£135 + VAT FITTED
	ON ALL SCHEMES

*GOLD, SILVER & BRONZE PRICES ARE BASED ON THE AGE OF THE APPLIANCE BEING UP TO 10 YEARS OLD. Additional charges will apply where appliances are over 10 years old. All Service Area Schemes are subject to an initial inspection of the appliance by Millside prior to approval. All Care Plans subject to Terms & Conditions.



large enough to price competitively, small enough to provide personal service

Millside Heating Services Limited, Millside Bank, Modd Lane, Holmfirth, Huddersfield HD9 2JZ.
Telephone: +44 (0)1484 687997 Fax: +44 (0)1484 682750 Email: careplan@millsideheating.co.uk

www.millsideheating.co.uk



Heating Services
Servicing the industry since 1979



PEACE OF MIND AND SAVE £££s OFF YOUR HEATING REPAIR BILLS

PLATINUM

GOLD

SILVER

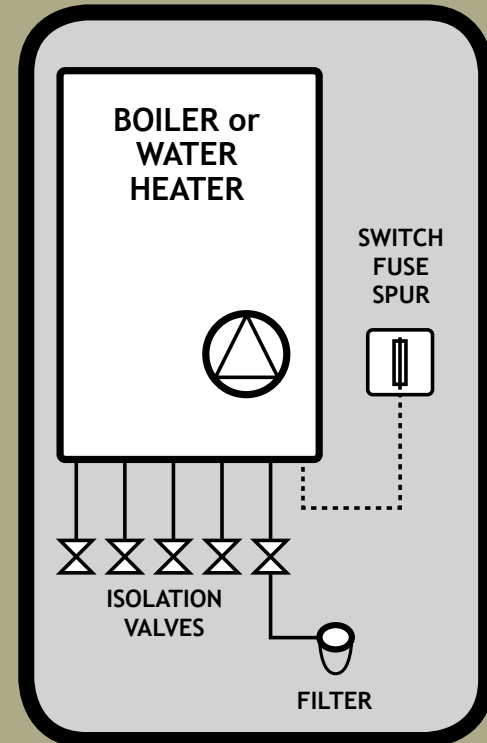
BRONZE

HEATING CARE PLANS



PLATINUM PARTS & WARRANTY PLAN

only **£15** per month

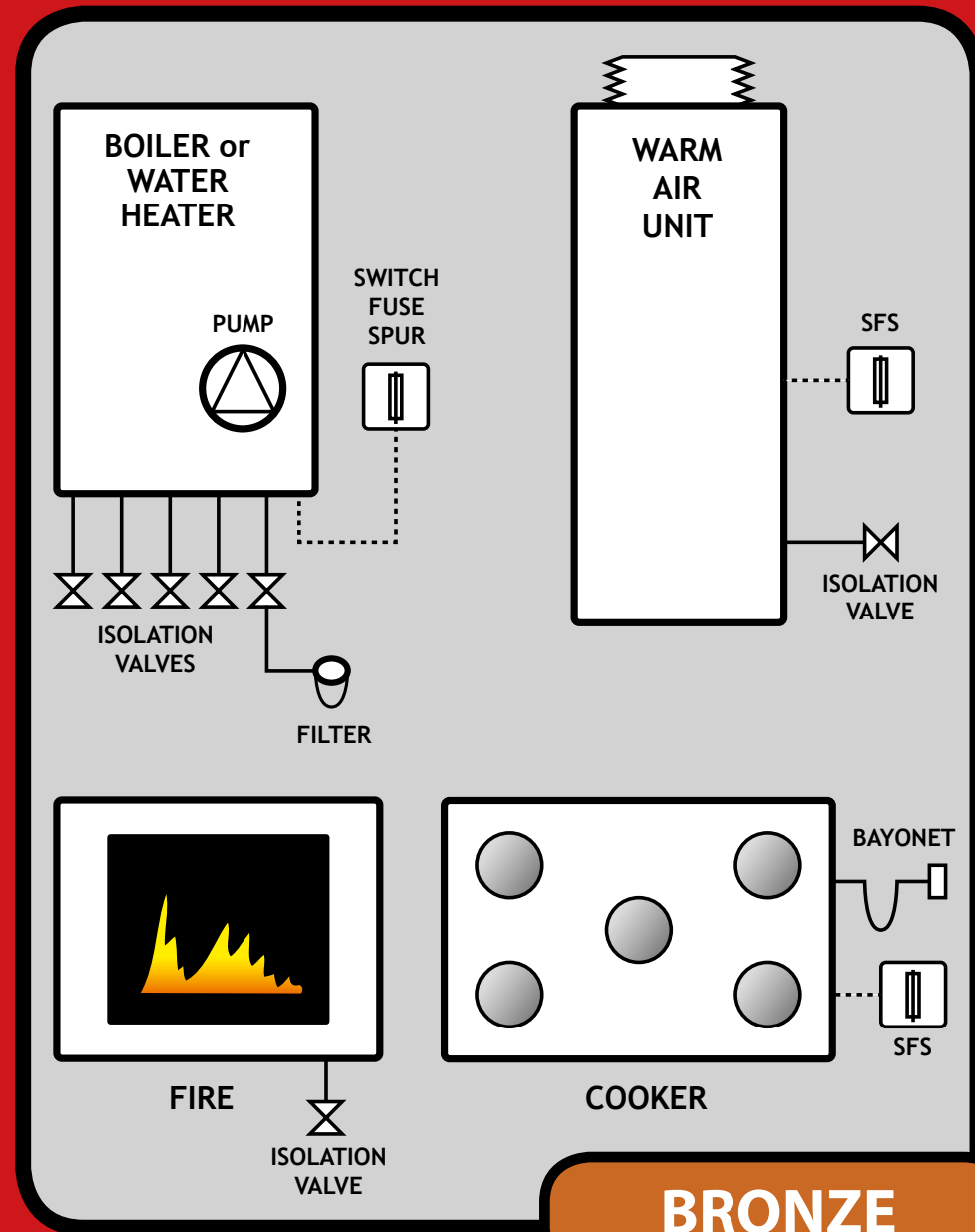


PLATINUM

15 YEAR COVER AVAILABLE WITH EVERY NEW BOILER INSTALLATION BY MILLSIDE

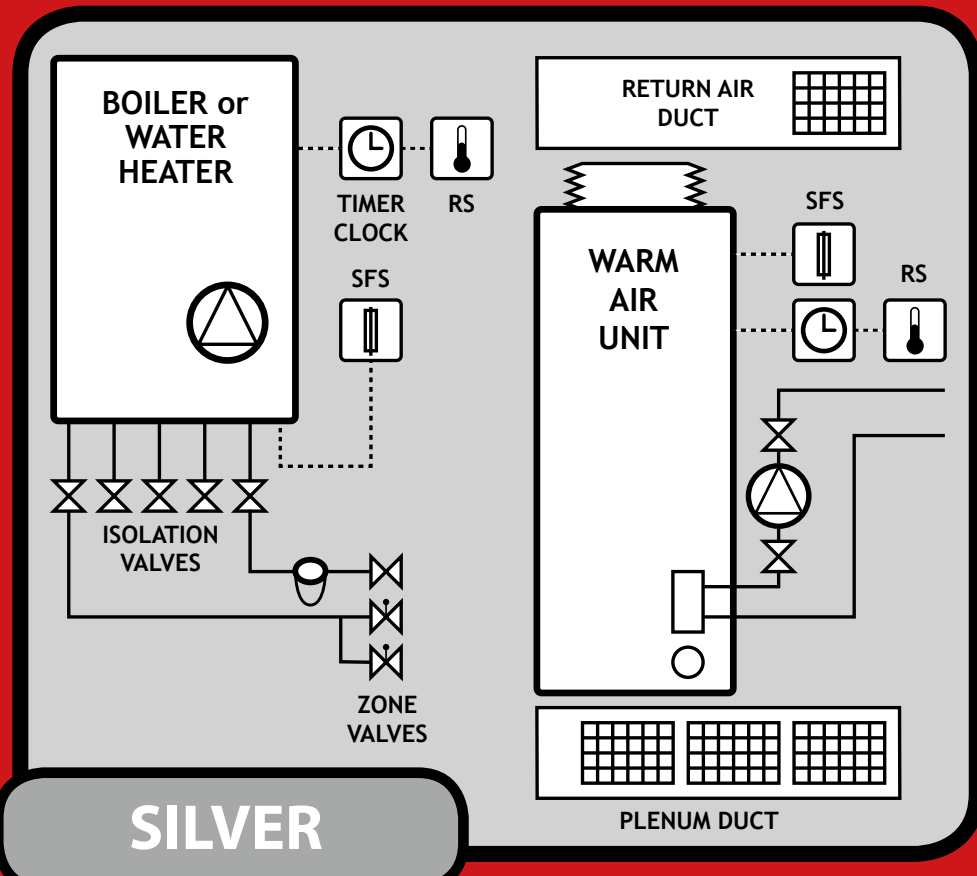
- 15 YEAR COVER ON NEW BOILERS INSTALLED BY MILLSIDE
- Maintaining and repairing BOILER ONLY
- Boiler and first line maintenance
- Labour and parts, if your appliance breaks down

CHOOSE A **MILLSIDE** CARE PLAN FOR YOUR HEATING



BRONZE

- BRONZE AREA COVERS:**
- Maintaining and repairing boiler or water heater, warm air unit, wall heater, fire or cooker
 - Appliance and first line maintenance only
 - One appliance only (other appliances can be added at additional cost)
- INCLUDES**
- One safety and maintenance inspection of your appliance in every year of your agreement
 - Labour and parts, if your appliance breaks down

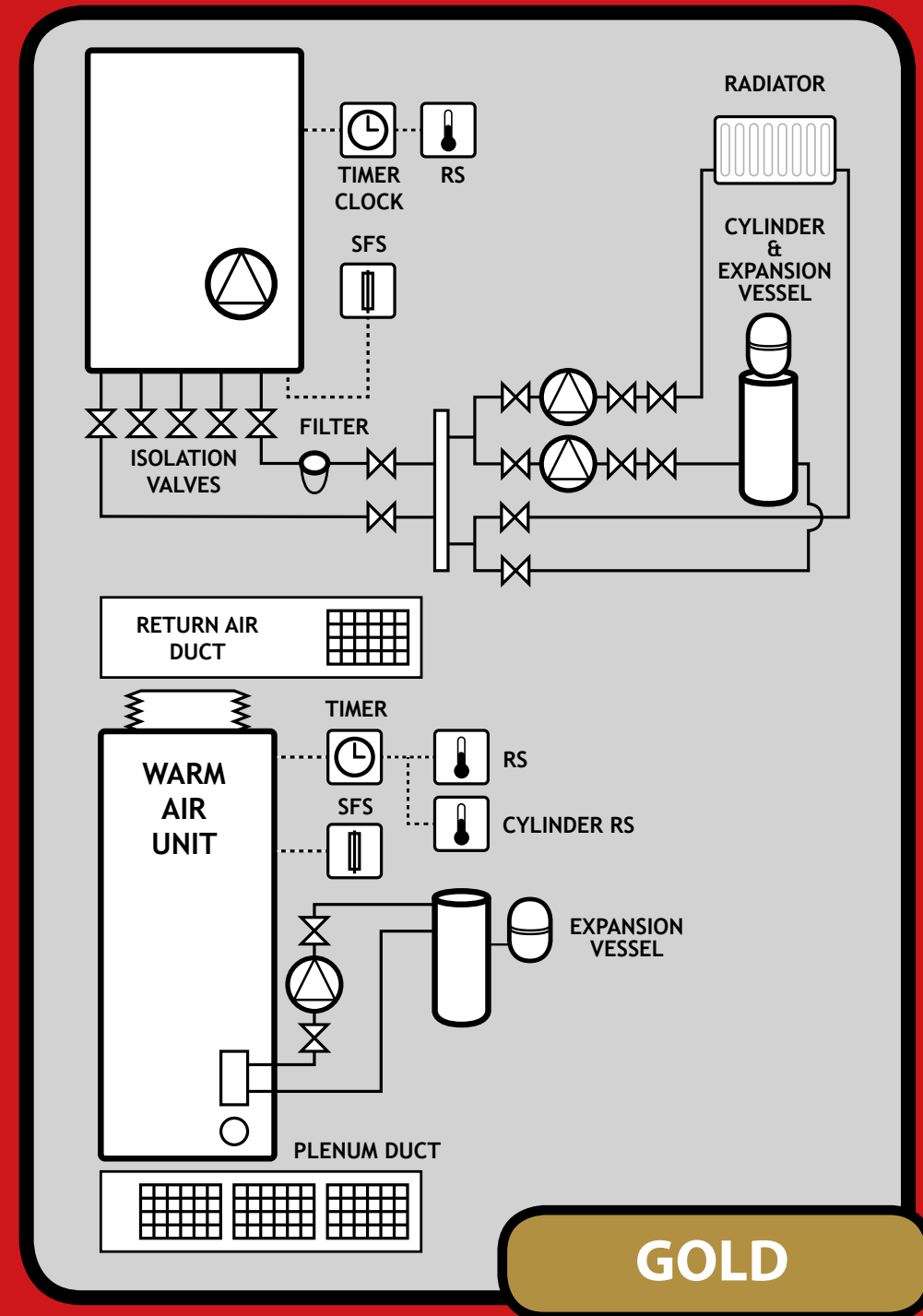


SILVER

- SILVER AREA COVERS:**
- ALL OF BRONZE AREA, PLUS:**
- Servicing of boiler and controls
 - A safety and maintenance inspection of your boiler and controls (excluding parts that aren't accessible)
 - 50% off the cost of a replacement boiler, if we decide that it would cost more to repair the boiler than to replace it
 - All necessary Powerflush work after your initial (chargeable) Powerflush
 - Magnetic filter installation

LANDLORDS CP12 CERTIFICATE - JUST £1.99 EXTRA p/m

When you take out one of our area plans, you'll also get a CP12 Gas Safety Certificate for just £1.99 a month per property. Call Millside on 01484 687997 for details.



GOLD

- GOLD AREA COVERS:**
- ALL OF BRONZE AND SILVER AREA, PLUS:**
- Full service of system controls, pressurised hot water cylinder and expansion vessels
 - 6% OFF the installation cost of a replacement boiler fitted by Millside regardless of it's age